

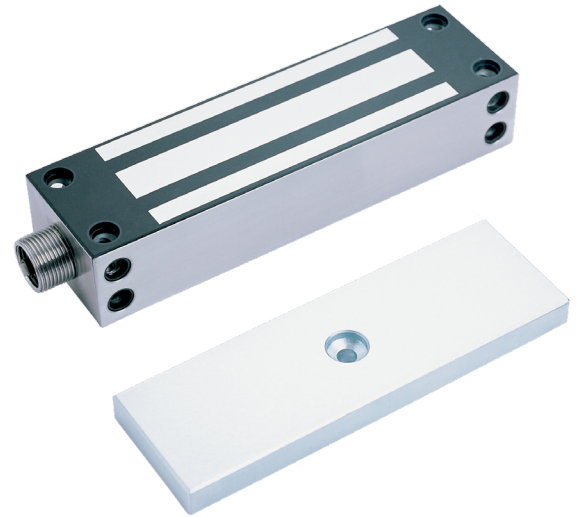
Stainless Steel

High-quality built compact electromagnet finished in strong AISI 304 stainless steel for standard door applications. The Housing is completely sealed and so is the wiring and connections potted in resin to make this model IP67 rated in addition to the ISO 9227 and ASTM B 117-90 norms.

Quality, Security and Design

The HQMAG 5000G series is part of our unique Stainless Steel electromagnets range. Compared to similar models on the market, our stainless-steel models provide higher security because of their quality, non-corrosive material and robustness no matter the hostility of the environments.

Designed with specific and high quality materials according to our unique know-how, the HQMAG 5000G is exceptionally resilient and reliable while offering the only electromagnets intrinsically without magnetic remanence. This electromagnet also benefits from certified corrosion-proof treatment.



MAIN FEATURES¹

- Security/Holding Force: Grade 6+ (7500 N)
- Category of use: Grade 3 (High frequency - Public use)
- Durability/reliability: Grade 9 (> 1000,000 cycles)
- Corrosion resistance/humidity/IP protection: Grade 3 (EN 1670, EN ISO 9227)

¹ See chapter 7 Norm EN 13637.

ACCESSORIES

Support Z+L: AMZB5000

TECHNICAL DATA

- Mounting: Surface - Universal (frontal/side)
- Power: 12/24V DC
- Current: 500 / 250 mA
- Built-in MOV surge protection
- ² Environmental protection / IP Rating: IP 67
- Sizes (L x h x w): 224 x 63,5 x 45 mm
- Weight: ~5 kg

² Electrical connections shall be protected according to the installation environment.

STANDARDISED LABEL

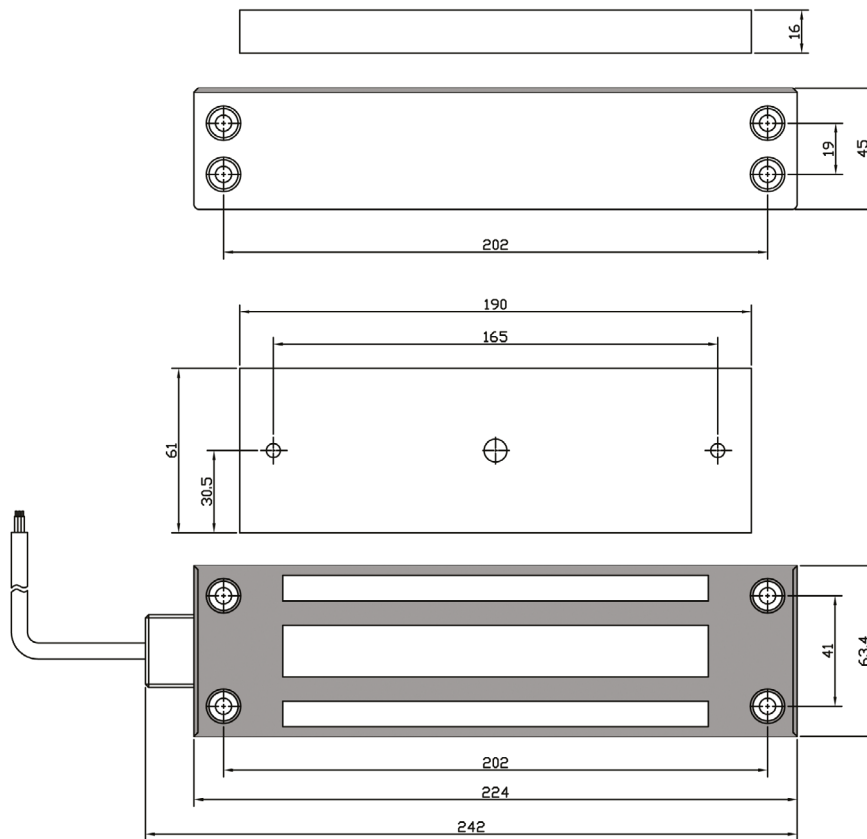
Our main HQMag products features are displayed on the products with a certified sticker responding to the EN 13637, chap 7 norm.

3	9	9		1	2	6+	6+	0	0	D
---	---	---	--	---	---	----	----	---	---	---

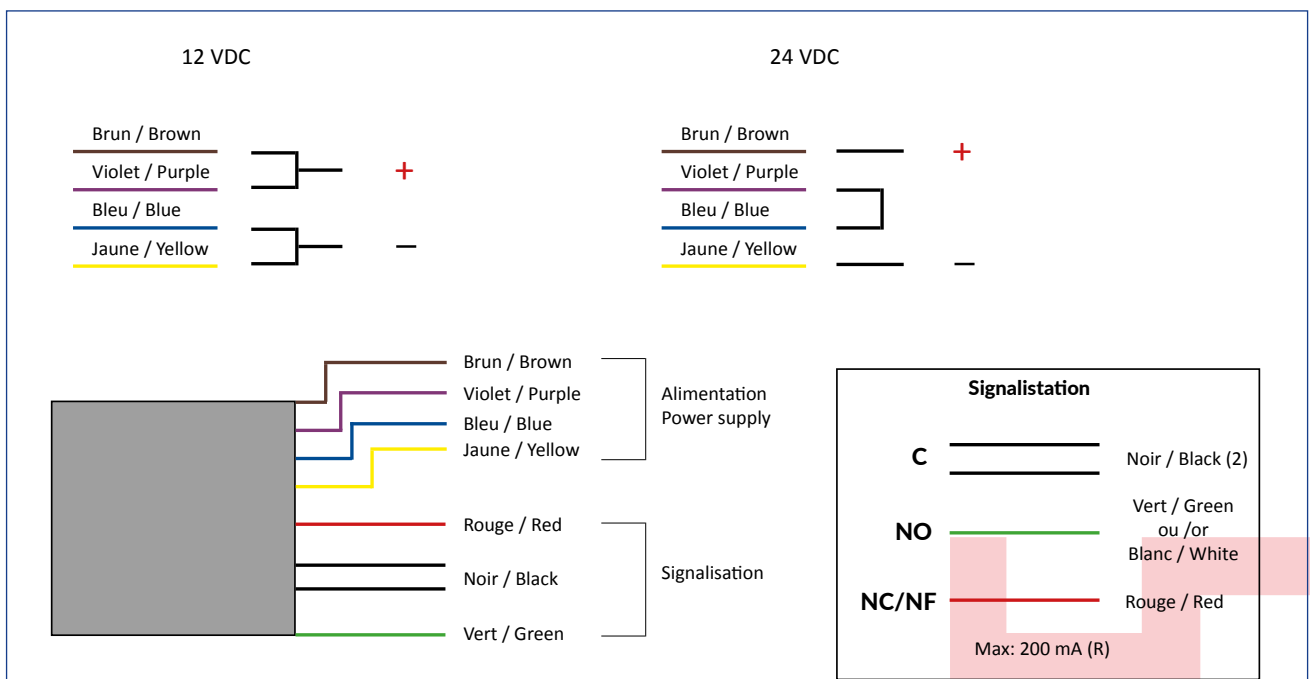
Ref: EN 13637: + Corrosion EN ISO 9227: Grade 3

TECHNICAL DESIGNS:

1. DIMENSIONS



2. WIRING



All product specifications are subject to change without notice.